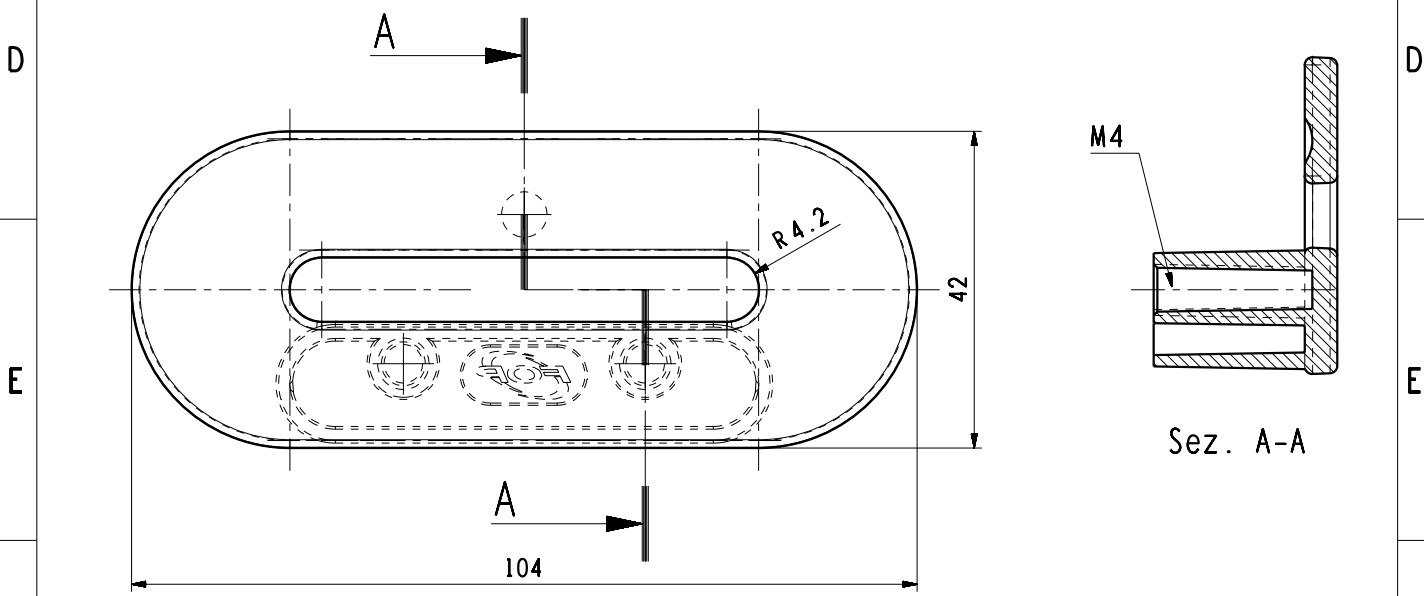
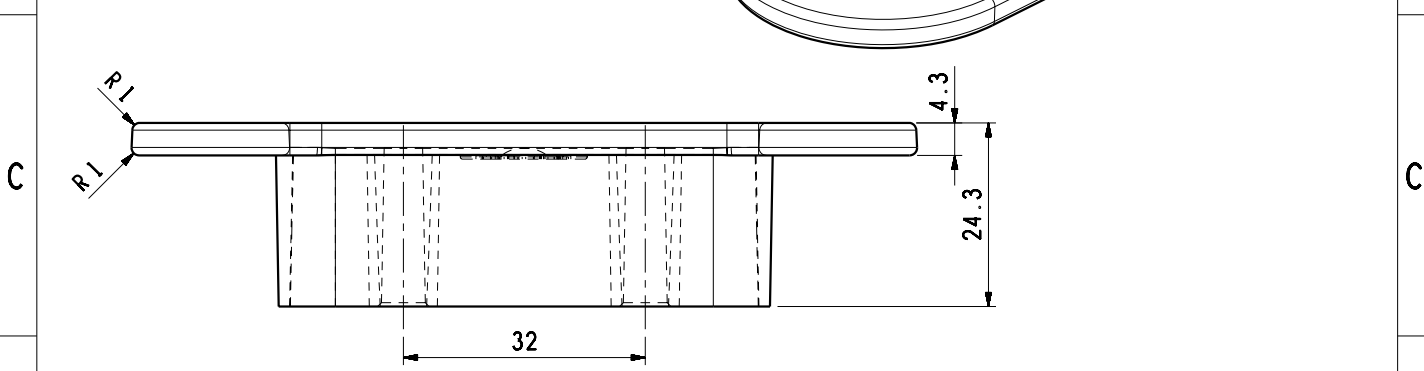
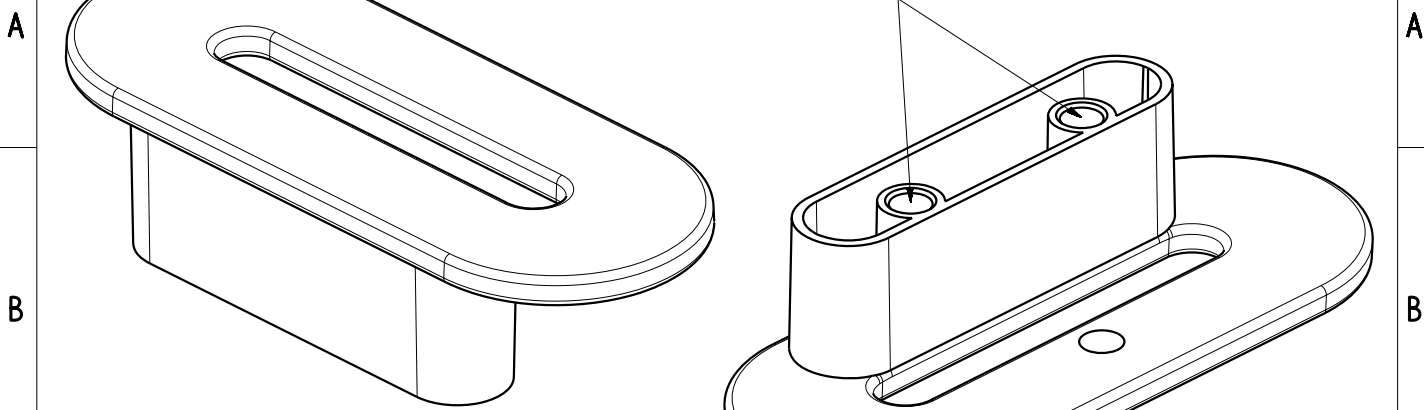


1 2 3 4 5



MATERIAL: ABS

REV	POSITION	DESCRIPTION	DATE	NAME

		UNIT	TYPE	CREATED BY	FORMAT	REVISION
		mm	DRAFT DRAWING	****	A4	***
	FILENAME	****		CREATION DATE	SCALE	SHEET
	CLIENT	****		****	1:1	1/1
ART.	1126			PART CODE		****
PROJECT NAME	****			TOOL CODE		****
				CHECKED BY	CHECKED_DATE	****
				****		****

1 2 3 4 5